

SUN GB Series

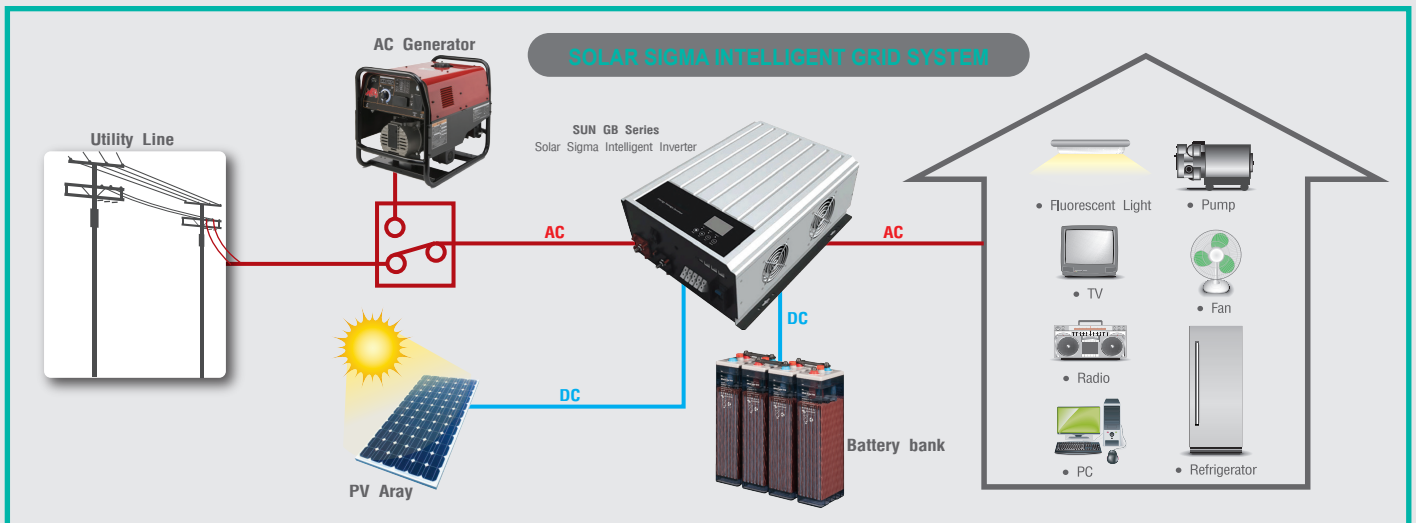
SOLAR SIGMA INTELLIGENT INVERTER

Features:

- Single phase bidirectional inverter
- Include PWM with MPPT charge controller
- Provide uninterrupted backup power to load when utility grid line is not available.
- Smart battery charging for small battery capacity
- Feeding excess energy back to grid line
- Low harmonic distortion(less than 3%)
- High efficiency 96.5%
- User settable operation
 1. Excess PV energy back feed to utility line
 2. No PV energy back feed to utility line, PV energy only supply to loads
- Special design for using at high grid fluctuation area
- Battery temperature compensation(option)
- ISO 9001 and ISO 14001 certified factory



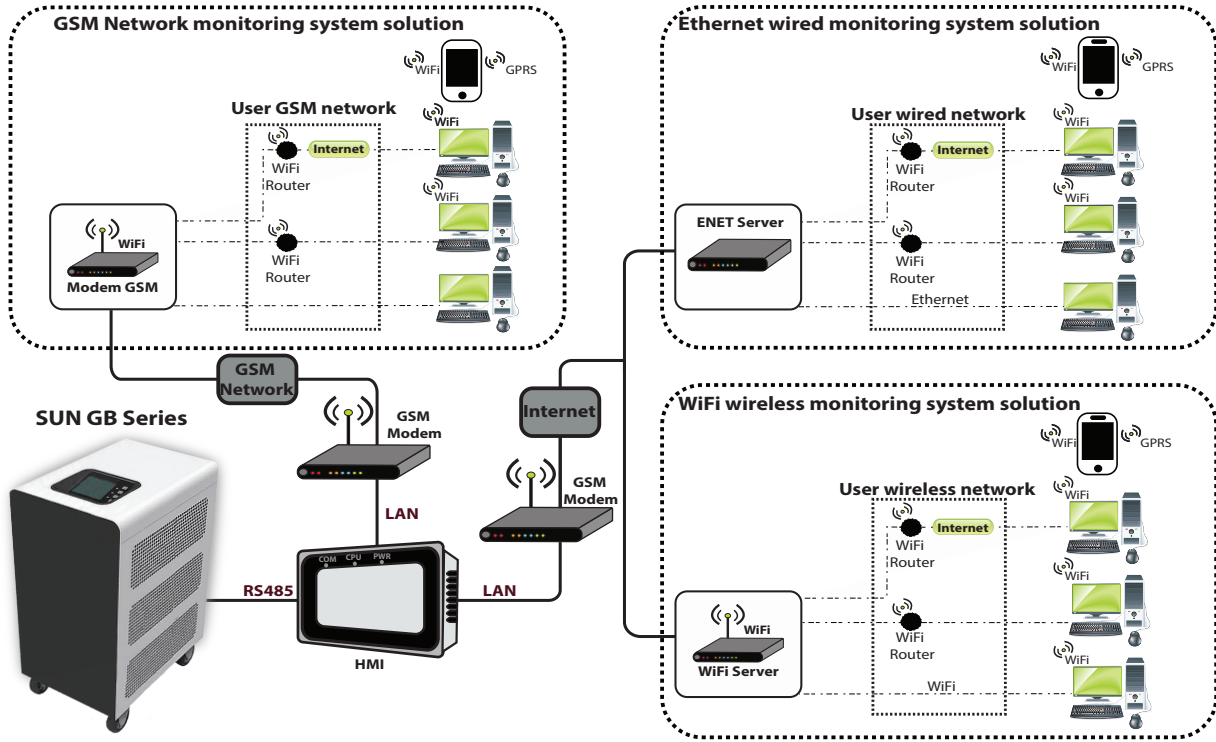
SUN SB Series is a single phase multi-function energy storage inverter, combining functions of inverter, On Grid, MPPT Solar charger controller and AC battery charger to offer uninterruptible power support with portable size. Its comprehensive LCD display offers user-configurable and easy-accessible button operation such as battery charging current, AC/Solar charger priority and acceptable input voltage based on different applications.



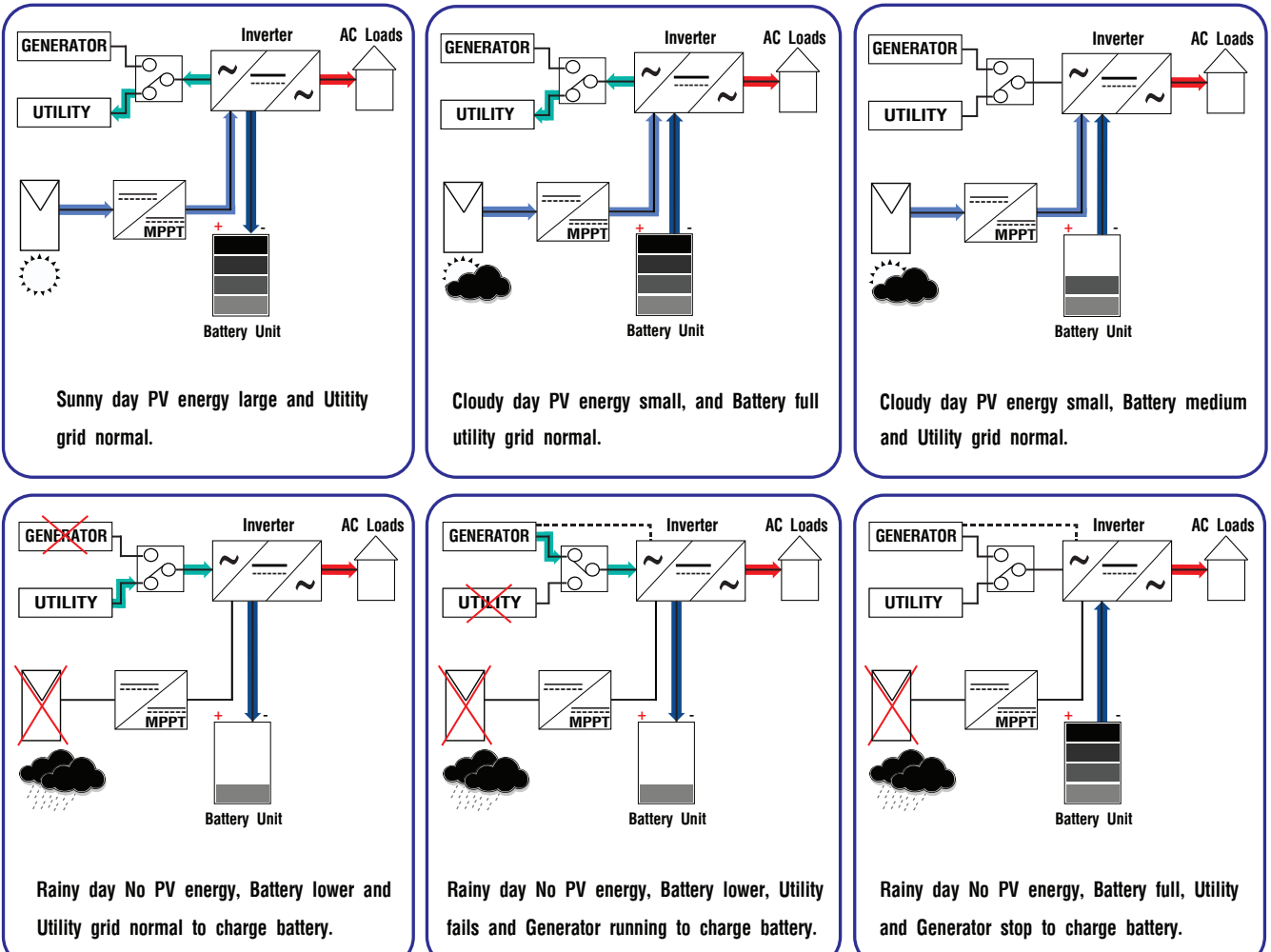
1. PV energy feed back to utility	PV energy is large feed to utility		PV energy is small, PV&Battery energy feed to utility
2. PV energy supply to loads	PV large energy supply to loads & Charge battery	PV small energy & Battery supply to loads	No PV Battery energy supply to loads
3. Charger mode	PV&Utility Charge to batteries		
4. Bypass mode	Utility supply to loads		
5. PV energy to loads	PV energy supply to loads	PV&Battery energy supply to loads	Battery energy supply to loads



Information Communication Technology



Operation Mode



SUN GB Series

SOLAR SIGMA INTELLIGENT INVERTER

MODEL		GB20	GB30	GB40	GB50	GB110
POWER RATING	PV Input(Wp)	2400Wp	3600Wp	3600Wp	6400Wp	10KWp
	AC Output(W)	2000W	3000W	4000W	5000W	10kW
SOLAR CONTROLLER & AC CHARGER	PV Max.Open Circuit Voltage (Voc)	145Vdc				
	PV MPPT Voltage Range (Vmp)	64-72Vdc				
	Max PV Charging Current (A)	45A	60A		120A(60x2)	180A(60x3)
	Max AC Charging Current (A)	40A	60A	80A	100A	180A
BATTERY	Normal Voltage(Vdc)	48Vdc				
	Voltage Range(Vdc)	40 - 62 Vdc				
	Max.Battery discharge(A)	60A	90A	120A	150A	120Ax3
	Low Voltage Alarm (Vdc)	42Vdc				
	High Voltage Alarm (Vdc)	60Vdc				
AC OUTPUT	Output Voltage (Vac)	220/230/240Vac (L-N)				
	Output Regulation	+/-1%				
	Phase	Single Phase				
	Output Frequency (Hz)	50/60Hz +/- 0.1%				
	Output Current (A)	8.7A	13A	17.4A	21.7A	45.45A
	Total Harmonic Distortion(THDv)	Grid Tied/Grid charging mode <3%, Backup mode <2%				
	Voltage Response time (0 – 100%)	20ms				
	Power Factor	Grid Tied & Grid charger >0.99				
	Overload Capability	110% for 30minutes, 125% for 1 minute, 150% for 30 seconds				
	Maximum Surge Current	200% for 10 seconds				
	Grid Tied/Backup Transfer Time	2-4ms				
	Output Wave Form	Sine wave				
	Standby Power Consumption	<2W				
PROTECTION	System Protection	Over voltage, Under voltage, Overload, Over current, Over Temperature and Short circuit				
EFFICIENCY	Max.Inverter Efficiency	≥92%	≥93%			
	Max.Charger Efficiency	≥98%				
AC INPUT FORM GRID LINE OR GENERATOR	Maximum AC Current (A)	17.4	26A	34.8	43.4A	80A
	AC Voltage (Vac)	220/230/240 +/-10% (L-N)				
	Frequency(Hz)	50/60 Hz +/-3%				
DISPLAY	LED indication	System operation, indication of charger and discharger, indication of fault				
	LCD display	Output voltage, Output current, Grid voltage, Grid current, Voltage of storage battery, Load power, Chart of capacity				
ALARM	System Alarm	Low battery, Overload, High Temperature and Short circuit				
COOLING		Automatic cooling fan				
INTERFACE		RS485 / CAN BUS				
PHYSICAL	Inverter Type	Wall mounted				
	Dimension W x H x D (mm.)	337*462*183	337*462*18	370*462*183	370*537*183	400*840*555
	Weight(kg)	25	29.5	35	47	130
ENVIRONMENT	Operation Temperature	0 - 50 °C				
	Humidity	0 - 95% (Non - condensing)				
	Environmental Protection Rating	Indoor (IP20)				
	Ambient humidity	0 - 90% relative humidity (non - condensing)				
	Altitude	<3000m				

*Product specification are subject to change without further notice.

Chuphotic-BRO-19.INV SUN GB.Rev 1.30/2016

บริษัท ชูไฟติก จำกัด

949 หมู่ 9 ต.ลำโพงเหนือ อ.เมืองสมุทรปราการ จ.สมุทรปราการ 10270

โทรศัพท์: 02 186 3010 แฟกซ์: 02 186 3018-9

www.chuphotic.com

E-mail: ups@chuphotic.com

ตัวแทนจำหน่าย :